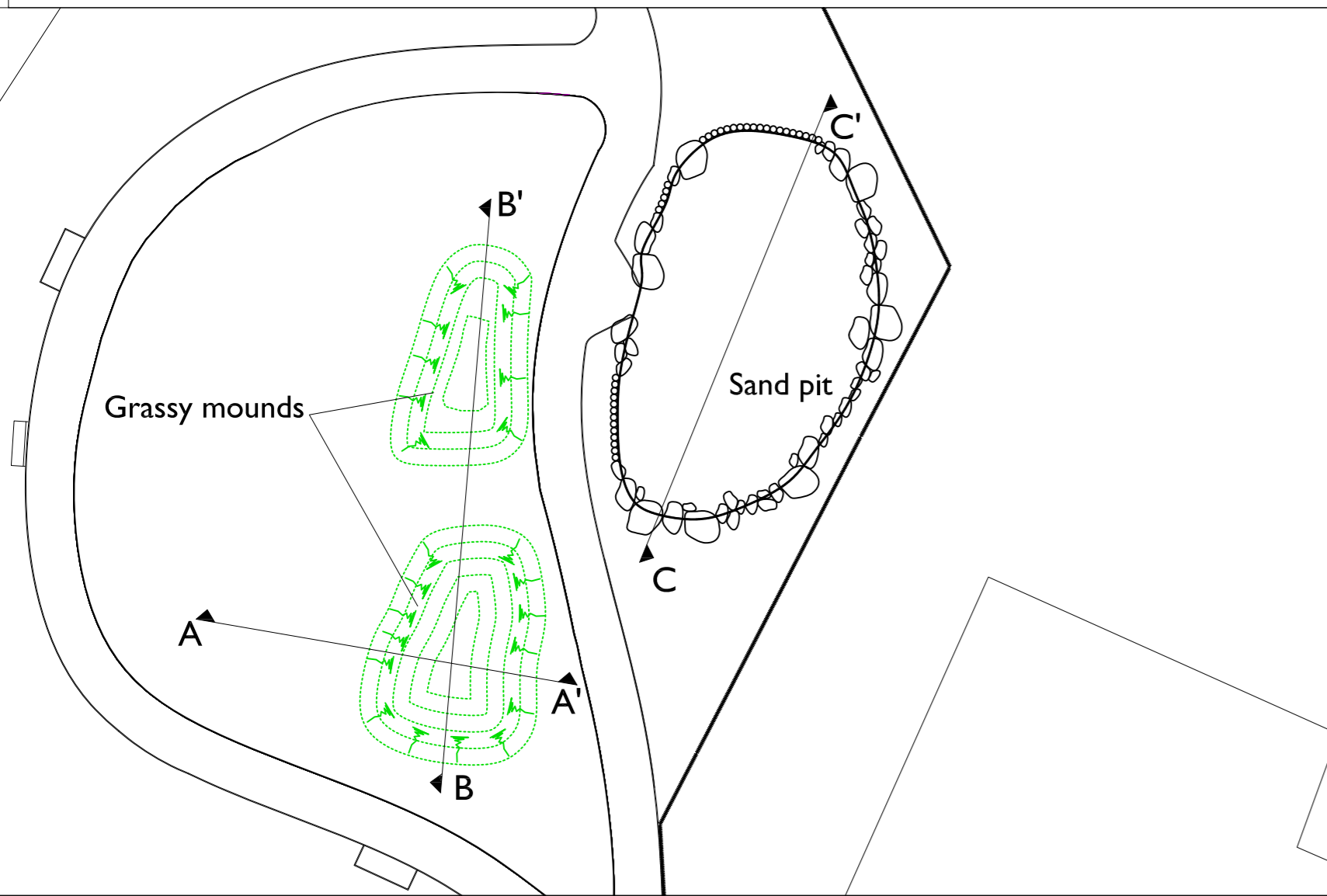
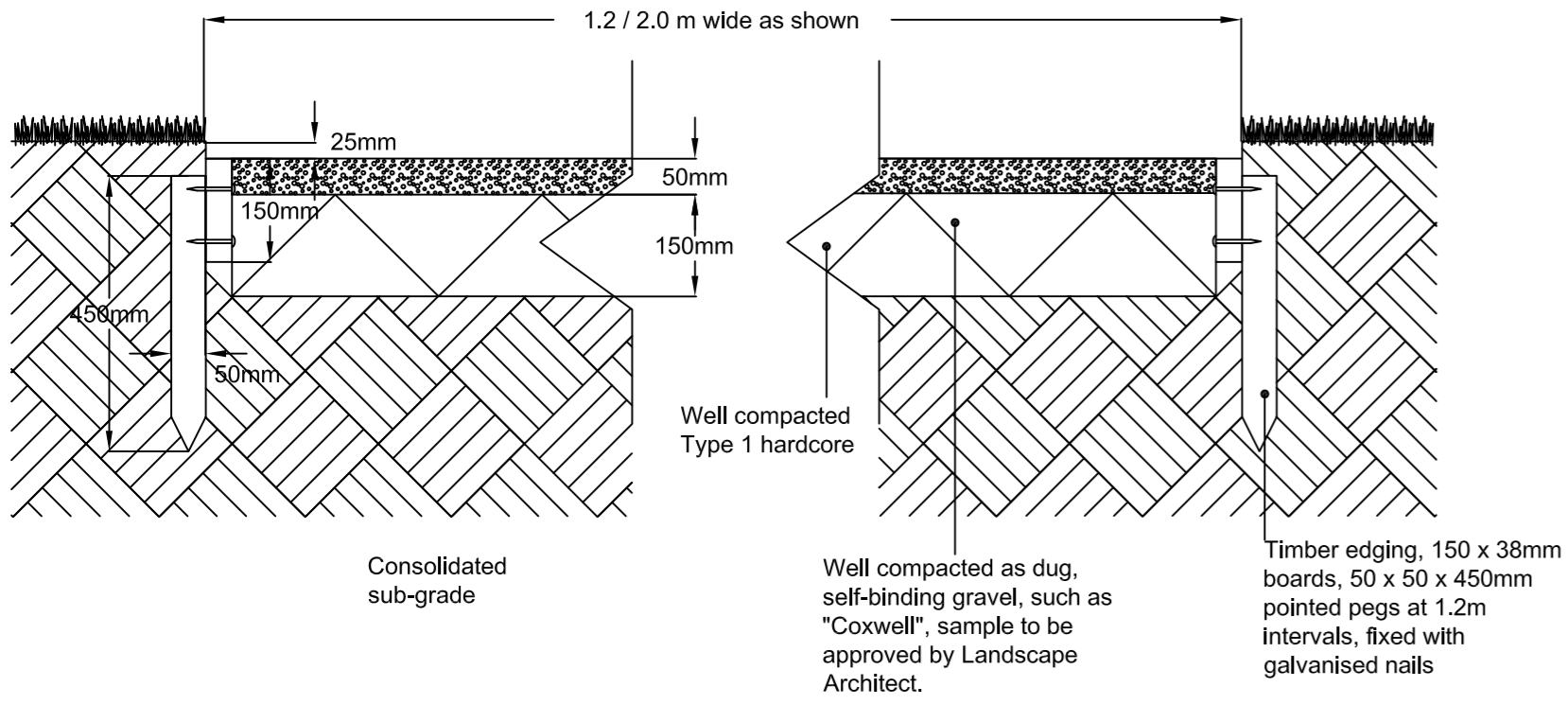


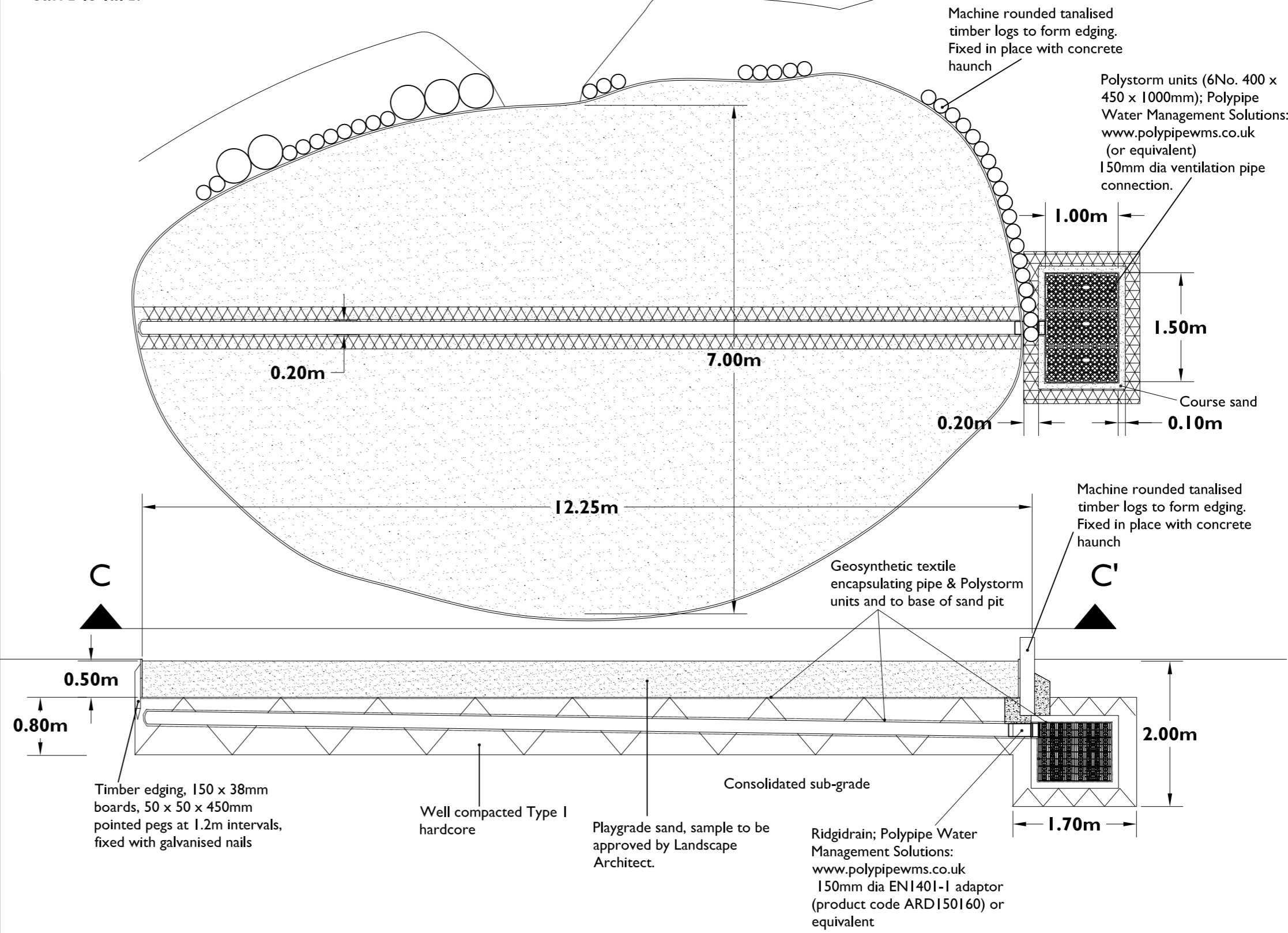
Self-binding Gravel Footpath Scale 1:10



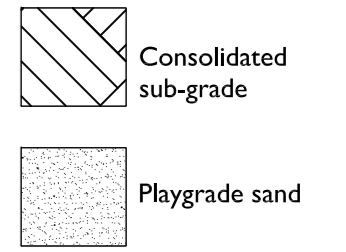
Detailed Construction of Sandpit with Soakaway Drain Scale 1:60

Sand pit

Excavate the pit to 1.3m depth. Lay drainage pipe across central area encapsulated in geotextile fabric dropping towards the soakaway at 1 to 70. Edges of the sand pit to be timber edging with log edging as shown and rounded glacial boulders to make up the remaining surround. Sand pit bottom also to be lined with geotextile fabric before the play sand is laid.

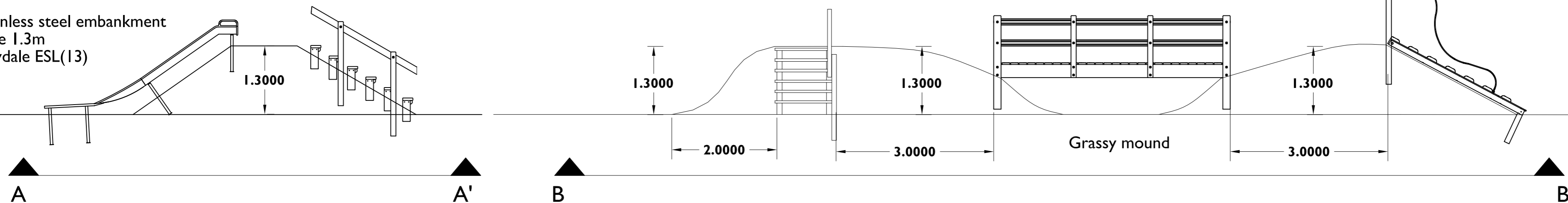


Key to Construction



Cross Sections of Mounds showing location of equipment Scale 1:60

Stainless steel embankment slide 1.3m
Playdale ESL(13)



WEST OXFORDSHIRE
DISTRICT COUNCIL

Street Scene
West Oxfordshire District Council
Woodgreen Council Offices
Woodgreen
Witney
OX28 1NB

Project Title:
Oxford Road Play Area, Eynsham

Drawing Title:
Construction Details

Scale:
As Shown

Drawn By:
Alison Leask

Date:
18th January 2012

Checked:

Drawing Number:
ORPA/CDP/1